

**A M D H**

**SPARE PARTS CATALOGUE  
ERSATZTEILKATALOG  
CATALOGUE PIECES DETACHEES  
CATALOGO PARTI RICAMBIO  
CATALOGO DE PIEZAS DE RECAMBIO  
CATALOGO PEÇAS DE REPOSICAO**

**AP 1**

**10-02-2012**

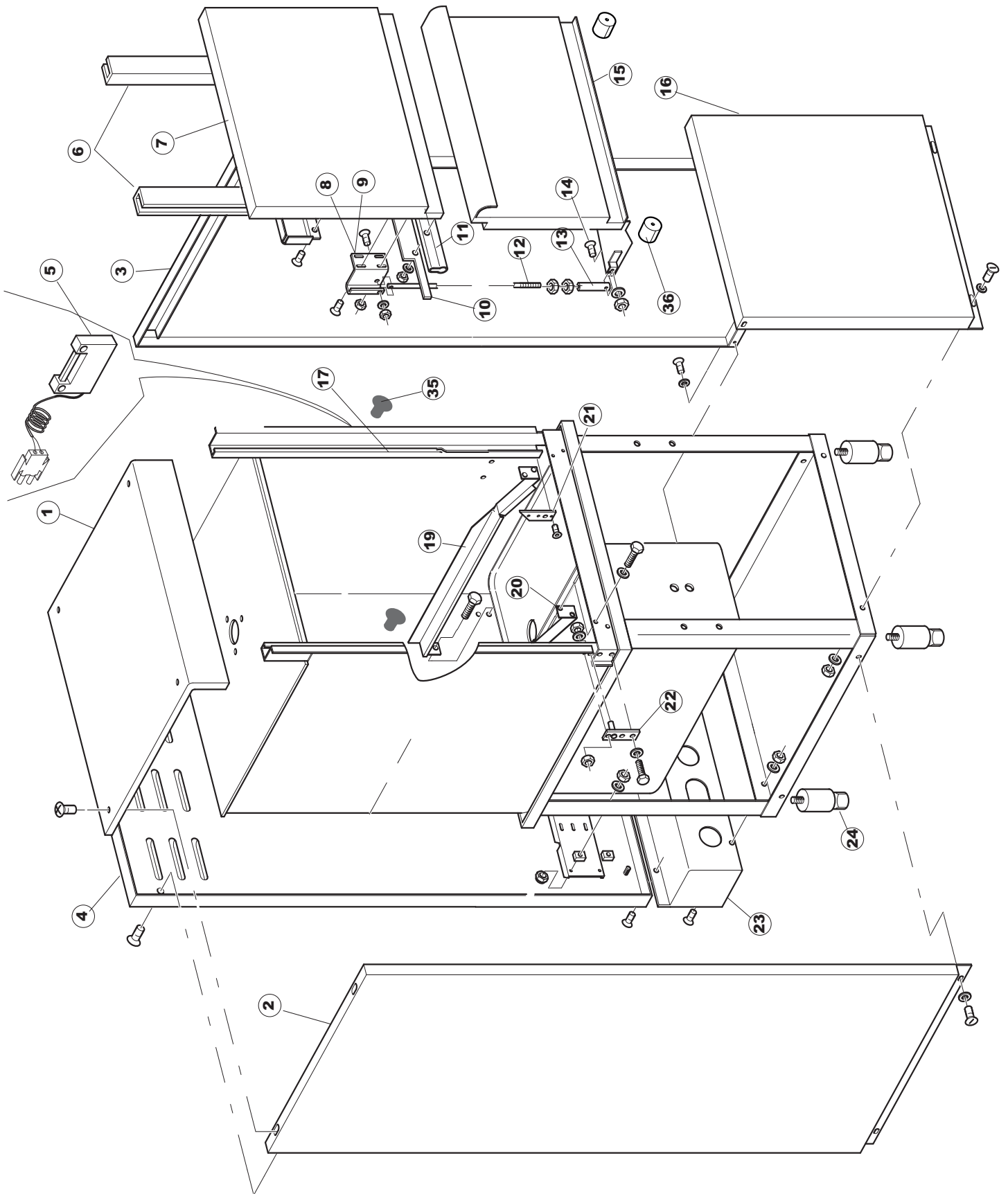
Tav.1: Carrozzeria  
Tav.2: Impianto elettrico  
Tav.3: Componenti in vasca  
Tav.4: Circuito di lavaggio  
Tav.5: Circuito di risciacquo  
Tav.6: Lance di lavaggio  
Tav.7: Pompa di lavaggio

Tav.1: Machine body  
Tav.2: Electrical components  
Tav.3: Components in the tank  
Tav.4: Washing circuit  
Tav.5: Rinsing circuit  
Tav.6: Washing arms  
Tav.7: Washing pump

Tab.1: Carrocería  
Tab.2: Instalación eléctrica  
Tab.3: Componentes en cuba  
Tab.4: Circuito de lavado  
Tab.5: Circuito d'enjuague  
Tab.6: Brazos de lavado  
Tab.7: Bomba de lavado

Tab.1: Carrosserie  
Tab.2: Installation électrique  
Tab.3: Composants de cuve  
Tab.4: Circuit de lavage  
Tab.5: Circuit de rinçage  
Tab.6: Bras de lavage  
Tab.7: Pompe de lavage

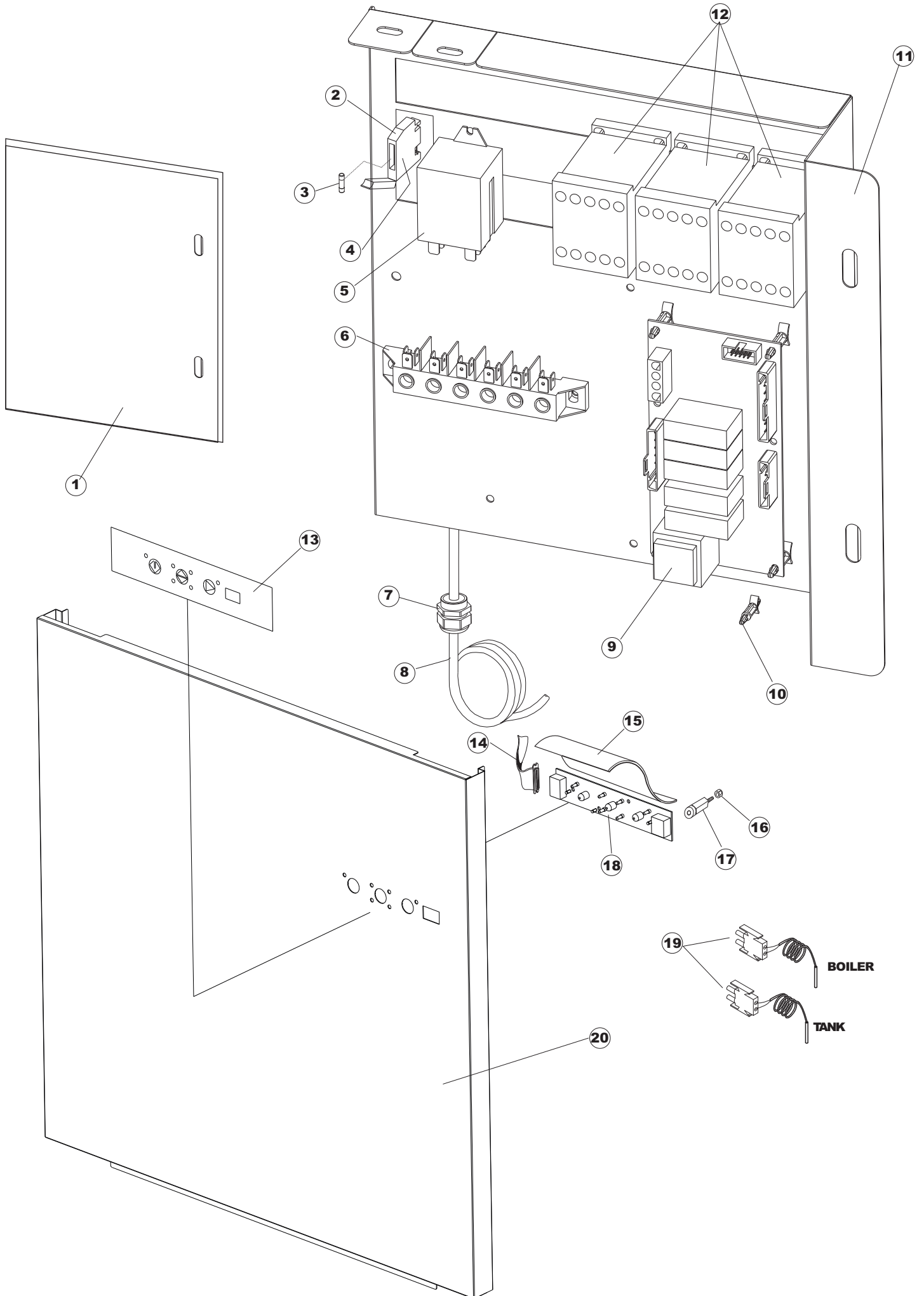
Taf.1: Verkleidung  
Taf.2: Elektrische Anlage  
Taf.3: Bauteile im Waschtank  
Taf.4: Spuelschaltung  
Taf.5: Nachspuelschaltung  
Taf.6: Wascharmee  
Taf.7: Spuelpumpe



# Listino componenti per pagina 1

1	41118	PANN.SUPER.U61/61H PANEL, UPPER U61/61H OB. PLATTE U61/61H PANN.SUPER.U61/61H PANEL SUPER. U61/61H	
2	41110	PANNELLO LATERALE SX.COMPL.U61 PANEL, SIDE LH COMPL.U61 PLATTE, SEITL. LINKS KOMPL.U61 PANNEAU LATERAL GAUCHE COMPL.U61 PANEL LATERAL IZDA. COMPL. U61	
3	41114	PANNELLO LATERALE DX.COMPL.610 PANEL, SIDE RH COMPL.610 PLATTE, SEITL. RECHTS KOMPL.610 PANNEAU LATERAL DROITE COMPL.610 PANEL LATERAL DCHA. COMPL. 610	
4	41122	PANNELLO RETRO U61 PANEL, REAR U61 PLATTE, HINTEN U61 PANNELLO ARRIERE U61 PANEL TRASERO U61	
5	80871	MICRO MAGNETICO MAGNETIC DOOR SWITCH TUERKONTAKTSCHALTER CONTACTE MAGNETIQUE CONTACTO MAGNETICO	
6	41038	GUIDA SCORR.SPORTELLO SUP.U61/61H GUIDE, UPP.DOOR SLIDING U61/61H SCHIEBER, OB.TÜR U61/61H GUIDE GLISSEM.VOLET SUP.U61/61H GUIA CORRED. PUERTA SOP. U61/61H	
7	41580	PORTA SUPERIORE UPPER DOOR, ASSY FOR POT AND PAN WASHERS TUER - OBEN - KOMPLETT - FUER KOCHTOEPFE SPUELER PORTE SUPERIEURE COMPLETE POUR LAVE-CASS EROLES PUERTA SUP.COMPL.U61/61H	
8	4108701	SQUADRA DESTRA AGGANCIO TIRANTE SPORTELLO SUPERIC RIGHT BRACKET FOR UPPER DOOR TIE ROD FASTENING RECHT-HATER FUER ANKUPPELN DER OBEREN TUER-STANG EQUERRE DROITE ACCROCHAGE TIRANT PORTE SUPERIEUR ESCUAD DCHA. FIJA TIR PUERTA SUP. LP PG ACAB.	
9	4108801	SQUADRETTA SINISTRA AGGANCIO TIRANTE SPORTELLO SUP LEFT BRACKET FOR UPPER DOOR TIE ROD CONNECTION FOF LINK-HALTER FUER ANKUPPELN OBEREN TUERSTANGE FUER EQUERRE DROITE ACCROCHAGE TIRANTE PORTE SUPERIEUR ESCUAD IZQDA. FIJ TIR PUERTA SUP. LP PG ACAB.	
10	41582	STAFFA GUARNIZIONE PORTA DOOR PACKING SUPPORT - UPPER - FOR POT AND PAN WASHERS HALTERUNG FUER TUERPACKUNG - OBEN FUER KOCHTOEPFE SUPPORT JOINT PORTE SUPERIEURE POUR LAVE -CASSEROLE SOPORTE JUNTA PUERTA SOP. U61. .	
11	41583	GUARNIZIONE PORTA	
12	4109301	TIRANTE SPORTELLO 610 TIE-ROD, DOOR 610 ZUGSTAB, TÜR 610 TIRANT VOLET 610 TIRANTE PUERTA 610	
13	41095	BUSSOLA TIRANTE PORTA 610/610H BUSHING, DOOR TIE-ROD 610/610H BUCHSE, TÜRZUGSTAB 610/610H DOUILLE TIRANT PORTE 610/610H CASQUILLO TIRANTE PUERTA 610/610H	
14	486078	VITE TC-CE M6X40 INOX SCREW TC-CE M6X40 INOX SCHRAUBE TC-CE M6X40 INOX VIS TC-CE M6X40 INOX TORNILLO TC-CE M6X40 INOX	
15	4107001	SPORTELLO INFERIORE COMPLETO PER LAVAPEN TOLE LOWER DOOR, ASSY - FOR POT AND PAN WASHERS TUER - OBEN - KOMPLETT FUER KOCHTOEPFESPUELER PORTE INFERIEURE COMPLETE POUR LAVE-CASSEROLE PUERTA INFER COMPLETA LP101 NT	

16	41327	PANNELLO ANTERIORE FRONT PANEL FRONTPANEEL PANNEAU AVANT PANEL DELANTERO EL-BASE	
17	929199	PIEDINO BATTUTA TIPO 30191.1.2(NERO) FOOT, BUFFER TYPE 30191.1.2 (NOIR) STÜTZFUSS, ANSCHLAG TYP 30191.1.2 (SCHWARZ) PIED FEUILL. TYPE 30191.1.2(NOIR) PATA TOPE TIPO 30191. 1. 2(NEGRO)	
18	41059	PARASPRUZZI PER BREAK-TANK U61.. SPLASHGUARD FOR BREAK-TANK U61.. SPRITZBLECH FÜR BREAK-TANK U61.. ANTIECLABOUSS. POUR BREAK-TANK U61.. ANTI-SALPICADURAS PARA BREAK-TANK U61. .	
19	41539	GUIDA CESTO RACK GUIDE KORBFUEHRUNG COULISSE PANIER GUIA CESTA	
20	41539	GUIDA CESTO RACK GUIDE KORBFUEHRUNG COULISSE PANIER GUIA CESTA	
21	4113501	SPESSORE LAT.SPORTELLO SIDE THICKNESS FOR DOOR SEITL. EINLEGERING FÜR TÜR EPAISSEUR LAT. VOLET GROSOR LAT. PUERTA	
22	4114501	PIASTRINA PERNO SPORTELLO U61.. PLATE, DOOR PIN U61.. PLATTE, TÜRANGEL U61.. PLAQUE PIVOT VOLET U61.. PLANCHITA PERNO PUERTA U61. .	
23	41622	PANNELLO RETRO INFERIORE REAR PANEL RUECKWANDVERKLEIDUNG PANNEAU ARRIERE PANEL PARTE POSTERIOR INFERIOR	
24	927006	PIEDE REGOLABILE X TRAINO FOOT, ADJUST. FOR TACK CONVEYOR VERSTELLFUSS FÜR KORBTR. PIED REGLABLE POUR AVANC. PATA REGULABLE X ACCION.	
35	929199	PIEDINO BATTUTA TIPO 30191.1.2(NERO) FOOT, BUFFER TYPE 30191.1.2 (NOIR) STÜTZFUSS, ANSCHLAG TYP 30191.1.2 (SCHWARZ) PIED FEUILL. TYPE 30191.1.2(NOIR) PATA TOPE TIPO 30191. 1. 2(NEGRO)	
36	41100	TAMPONE BATTUTA SPORTELLO LP DOOR BUFFER LP PUFFER, TÜRANSCHLAG LP TAMPON FEUILLURE VOLET LP TAMPON TOPE PUERTA LP	

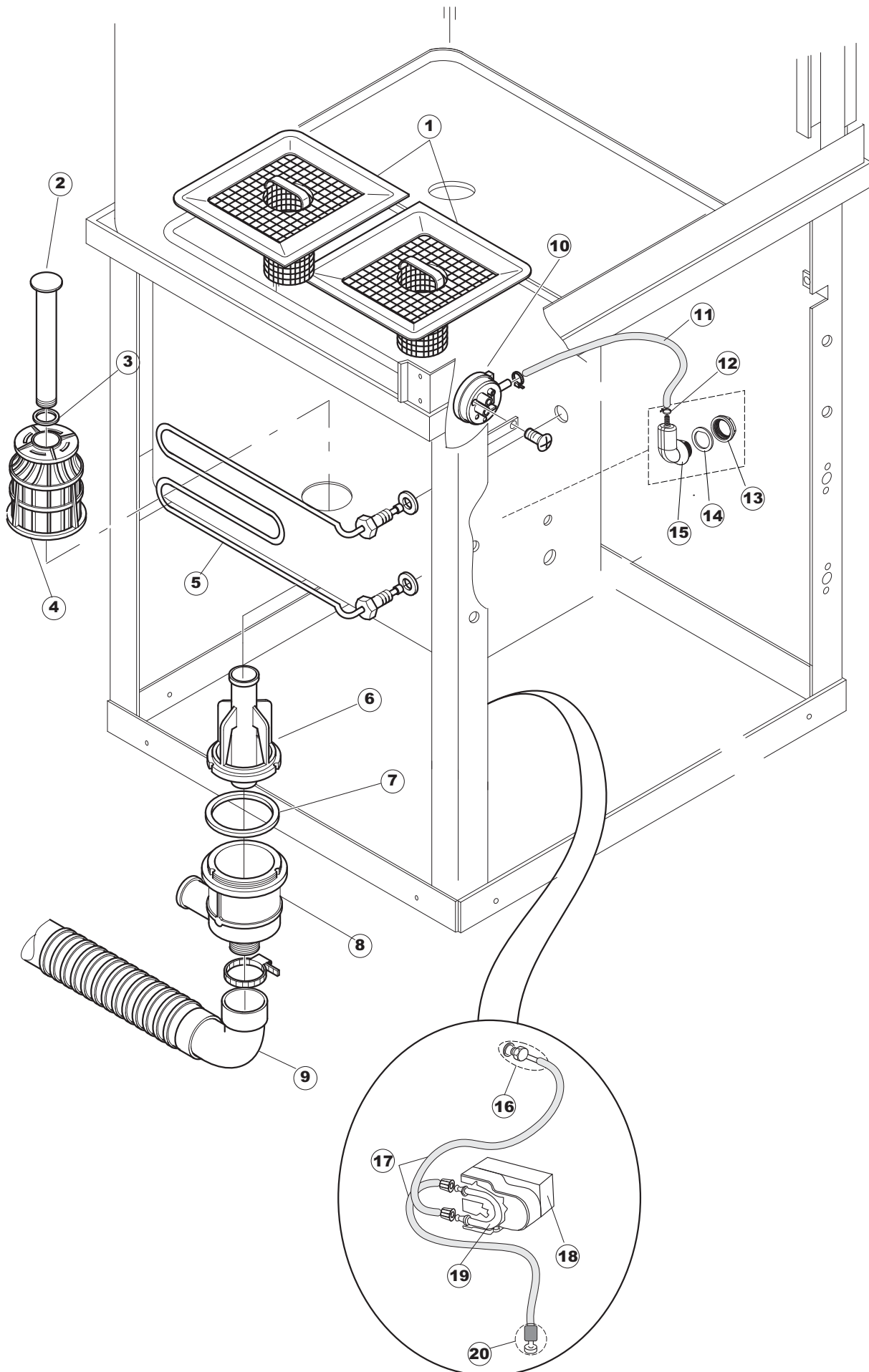


## Listino componenti per pagina 2

1	41118	PANN.SUPER.U61/61H PANEL, UPPER U61/61H OB. PLATTE U61/61H PANN.SUPER.U61/61H PANEL SUPER. U61/61H	
2	H.228047	* PORTA-FUSIBILE * FUSE-HOLDER * SICHERUNGSTRAGER * PORTE-FUSIBLE * PORTAFUSIBLE	
3	228004	FUSIBILE 5X20 4A FAST FUSE, 5X20 4A FAST SICHERUNG, 5X20 4A FAST FUSIBILE 5X20 4A FAST FUSIBLE 5X20 4A FAST	
4	H.228048	* CHIUSURA PORTA-FUSIBILE * CLAMPING FOR FUSE-HOLDER * SICHERUNGSTRAGER-VERSCHLUSS * COUVERTURE PORTE-FUSIBLE * CIERRE PORTAFUSIBLE	
5	929115	RELE 16A 230V 62.82 RELAY 16A 230V 62.82 RELAIS 16A 230V 62.82 RELAIS 16A 230V 62.82 RELE 16A 230V 62. 82	
6	220011	* MORSETTIERA 5.POLI + TERRA FV.122 * TERMINAL BOARD, 5-POLES + EARTH FV.122 * KLEMMENBRETT, 5-POLIG + ERDUNG FV.122 * PLAQUE A BORNE 5POLES + TERRE FV.122 * BORNERO 5. POLOS + TIERRA FV. 122	
7	DEP521	PRESSACAVO PG21 (BER 4721) CABLE GLAND PG21 (BER 4721) KABELSCHELLE PG21 (BER 4721) SERRE CABLE PG21 (BER 4721) SUJETA-CABLE PG21 (BER 4721)	
8	80997	CAVO ALIMENTAZIONE MAIN CABLE ANSCHLUSSKABEL 400V CÂBLE ÉLECTRIQUE CABLE ALIMENTACION 5X2,5MM (H07RN-F)	
9	215027	SCHEDA GET50 LA50 MAIN BOARD KARTE CARTE ELECTRONIQUE TARJETA CHORROS50 LA50	
10	CWP2	PIEDINI SUPPORTO SCHEDA ELET.(ART.DRA6A) FEET, ELECTR.CARD SUPPORT(ART.DRA6A) STÜTZFÜSSE FÜR PLATINE (ART.DRA6A) PIEDS SUPPORT FICHE ELECTR.(ART.DRA6A) PATAS SOPORTE TARJETA ELECT. (ART.DRA6A)	
12	80350	CONTAT 230-50/60HZ 3RT1016-1AP01 CONTACT, 230-50/60HZ 3RT1016-1AP01 KONTAKT, 230-50/60HZ 3RT1016-1AP01 CONTACT 230-50/60HZ 3RT1016-1AP01 VER CODIGO 229037	
13	41517	POLIESTERE	
14	80934	CAVO FLAT COMANDI INFERIORI CAPOT CABLE FLAT CAPOT FLACHKABEL CABLE LIAISON CABLE FLAT MANDOS INFERIORES CAPOT	
15	69810	TENDINA COPERTURA TASTIERA PANNELLO ANTERIORE CURTAIN VORHANG RIDEAU CORTINA COPERTURA TECLADO PAN. DELANT.	
16	417119	DADO M3 PLASTICA BIANCO NUT, M3 PLASTIC WHITE SCHRAUBENMUTTER, M3 KUNST. WEISS ECROU M3 PLASTIQUE BLANC TUERCA M3 PLASTICO BLANCO	

17	419036	SPACER SPACER, M3 ABSTANDSSTÜCK, M3 ENTRETOISE M3 DISTANCIADOR M3	
18	227074	PULSANTIERA GET50(BASSO DI GAMMA) PUSH BUTTONS ASSEMBLY TASTENFELD TABLEAU DE PUSOIR BOTONERA GET50(BAJA DE GAMA)	
19	231016	SONDA TEMPERATURA TEMP. PROBE KUGEL SONDE SONDA TEMPERATURA (AMPOLLA ACERO)	
20	41327	PANNELLO ANTERIORE FRONT PANEL FRONTPANEEL PANNEAU AVANT PANEL DELANTERO EL-BASE	

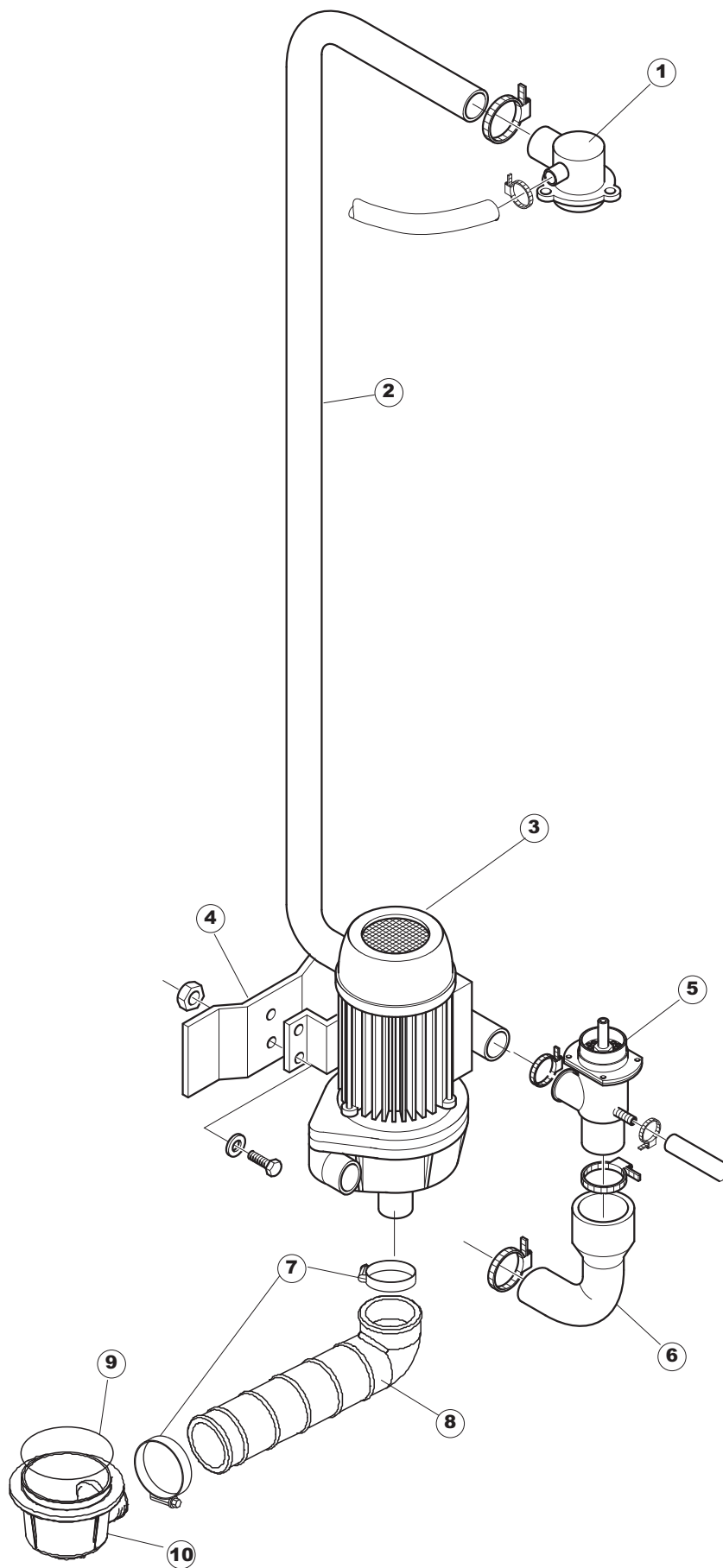




## Listino componenti per pagina 3

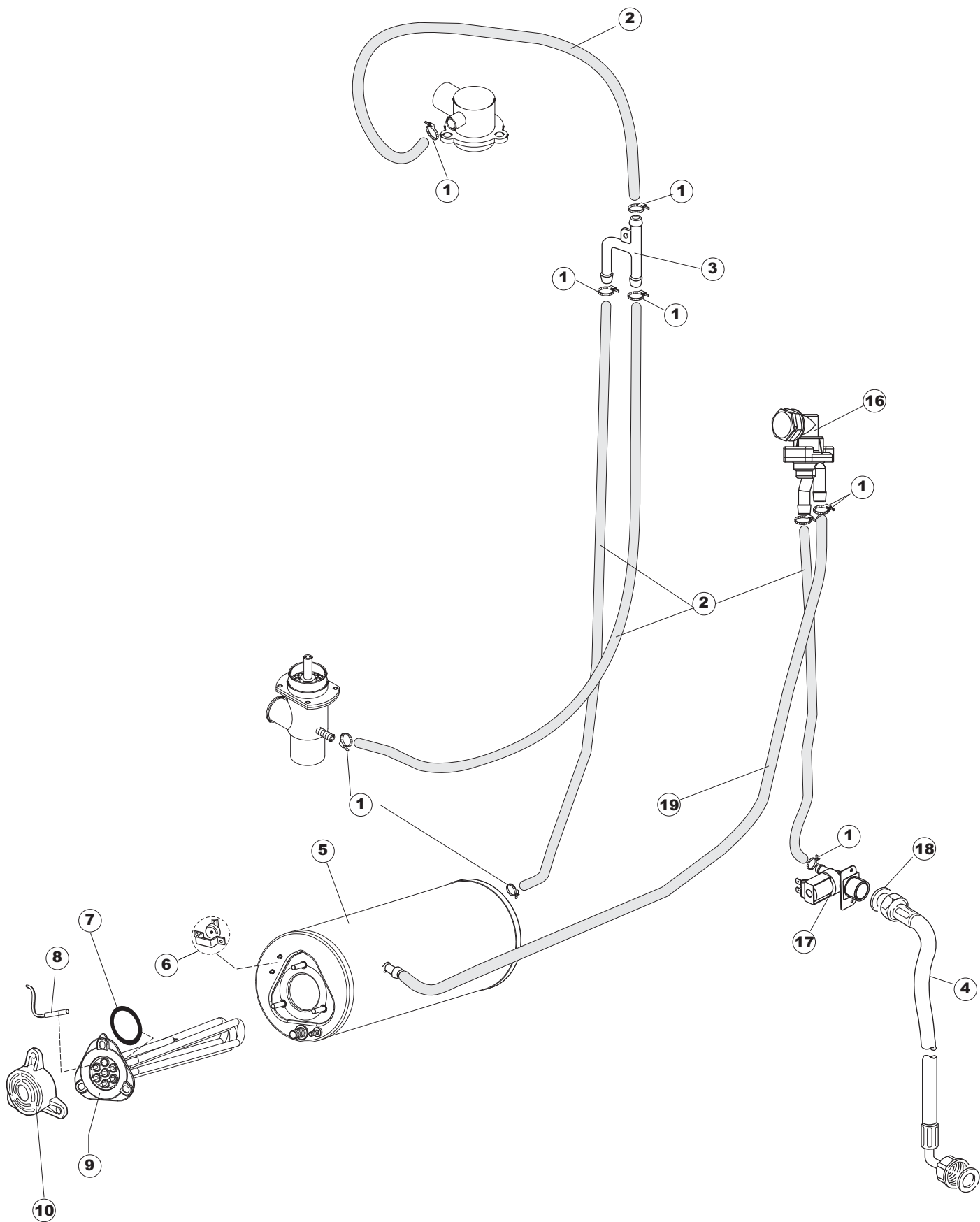
1	41157	FILTRO VASCA COMPLETO U61.. FILTER, TANK - COMPLETO U61.. FILTER, TANK - KOMPLETT U61.. FILTRE CUVE COMPLET U61.. FILTRO CUBETA COMPLETO U61. .	
2	80250	TROPPO PIENO RIVER 82/83 OVERFLOW RIVER 82/83 ÜBERLAUF RIVER 82/83 TROP-PLEIN RIVER 82/83 REBOSE RIVER 82/83	
3	CGR4131NT	O-RING 4131 VITON NERO SH.70 O-ring 4131 BLACK SCREW SH.70 O-RING 4131 SCHWARZE SCHRAUBE SH.70 O-RING 4131 VIS J11312 SH.70 O-RING 4131 VITON NEGRO SH. 70	
4	121081	FILTRO POMPA GRIGIO 44/TERZ. FILTER, PUMP GREY 44/TERZ. FILTER, PUMPE GRAU 44/TERZ. FILTRE POMPE GRIS 44/TERZ. FILTRO BOMBA GRIS 44/TERZ.	
5	80677	RESISTENZA VASCA 2500 W 230V MONOFASE HEATING ELEMENT 2,5KW 230V (S6268) ELEKTRISCHER RESISTANCE RESISTENCIA CUBETA 2,5KW 230V	
6	80470	GHIERA SCARICO RING NUT, DRAIN GEWINDERING, ABLAUF BAGUE VIDANGE VIROLA DESCARGA COLG.VER COD.429038	
7	456040	OR 201 NBR70 22 O-ring 201 NBR70 22 O-Ring 201 NBR70 22 OR 201 NBR70 22 OR 201 NBR70 22	
8	136020	CORPO ASPIRAZIONE/SCARICO 22/44 INTAKE/DRAIN BODY 22/44 GEHAUSE, EINLASS/ABLAUF 22/44 CORPS ASPIRATION/VIDANGE 22/44 CUERPO ASPIRACION/DESCARGA 22/44	
9	143136	TUBO SCARICO VERS.NE INTEGR.22 PIPE, DRAIN - INTEGR. VERSION 22 ABLASSROHR - VOLLST. VERSION 22 TUYAU VIDANGE VERS.NE INTEGR.22 TUBO DESCARGA VERSION INTEGR. 22	
10	926049	PRESSOSTATO 761999 180-70 PRESSURE SWITCH 761999 180-70 DRUCKSCHALTER 761999 180-70 PRESSOSTAT 761999 180-70 PRESOSTATO 761999 180-70	
11	143253	TUBO SILICONE 3X8 SILICON PIPE 3X8 SILIKONSCHLAUCH 3X8 TUYAU SILICONE 3X8 TUBO SILICONA 3X8	
12	CFF10073	FASCETTA A FILO 10073 COLLIER DE SERRAGE EN FIL D'ACIER 10073 SCHLAUCHSCHELLE 10073 WIRE HOSECLAMP 10073 ABRAZADERA CON HILO 10073	
13	417120	DADO PLASTICA GRIGIO PLASTIC NUT KUNSTSTOFFMUTTER 1-1/4 ECROU EN PLASTIQUE TUERCA PLASTICO GRIS	
14	437098	GUARNIZIONE NUOVA CAMP.PRESS. PACKING FOR AIR TRAP OF PRESSURE SWITCH DICHTUNG FUER LUFTFALLE JOINT PRISE D'AIRE PRESSOSTAT JUNTA NUEVA CAMP.PRES.	
15	107012	CAMPANA PRESSOSTATO (L) RV40-50-CAPOTE AIR TRAP LUFTFALLE PRISE D'AIR CAMPANA PRESOSTATO (L) RV40-50-CAPOTA	

16	468151	RACCORDO ENTRATA SAPONE CPL NM * SALDATO UNION, EXTRA DET. CPL NM * WELDED TANKEINLAUF CPL NM* RACCORD ENTREE SAVON CPL NM * SOUDE EMPALME ENTRADA JABON CPL NM * SOLDADO	
17	143194	TUBO 4x6 CRISTAL TRASPARENTE PIPE 4x6 CRISTAL, TRANSP. SCHLAUCH 4X6 CRISTAL, DURCHS. TUYAU 4x6 CRISTAL TRANSPARENT TUBO 4x6 CRISTAL TRASPARENTE	
18	209021	DOSAT.PERIST.DETERGENTE REG. PERISTALTIC DISPENSER (NBR-3) DOSIERUNG PERISTALTIK DOSAGE PÉRISTALTIQUE DOSIFIC. PERIST.DETERGENTE REG.	
19	143219	TUBETTO SANTOPRENE 6X10 RACCORDI+GHIERE TUBE, SANTOPRENE 6X10 FITTINGS+METAL RINGS MEMBRANSCHLAUCH SANTOPREN TUBE SANTOPRENE 6X10 RACC.+COLL.DE SERR. TUBITO SANTOPRENE 6X10 EMPALMES+VIROLAS	
20	121075	FILTRO ASPIR.INOX(775239-001) FILTER, SUCT.INOX (775239-001) FUSSFILTER FILTRE ASPIR.INOX(775239-001) FILTRO ASPIR. INOX(775239-001)	



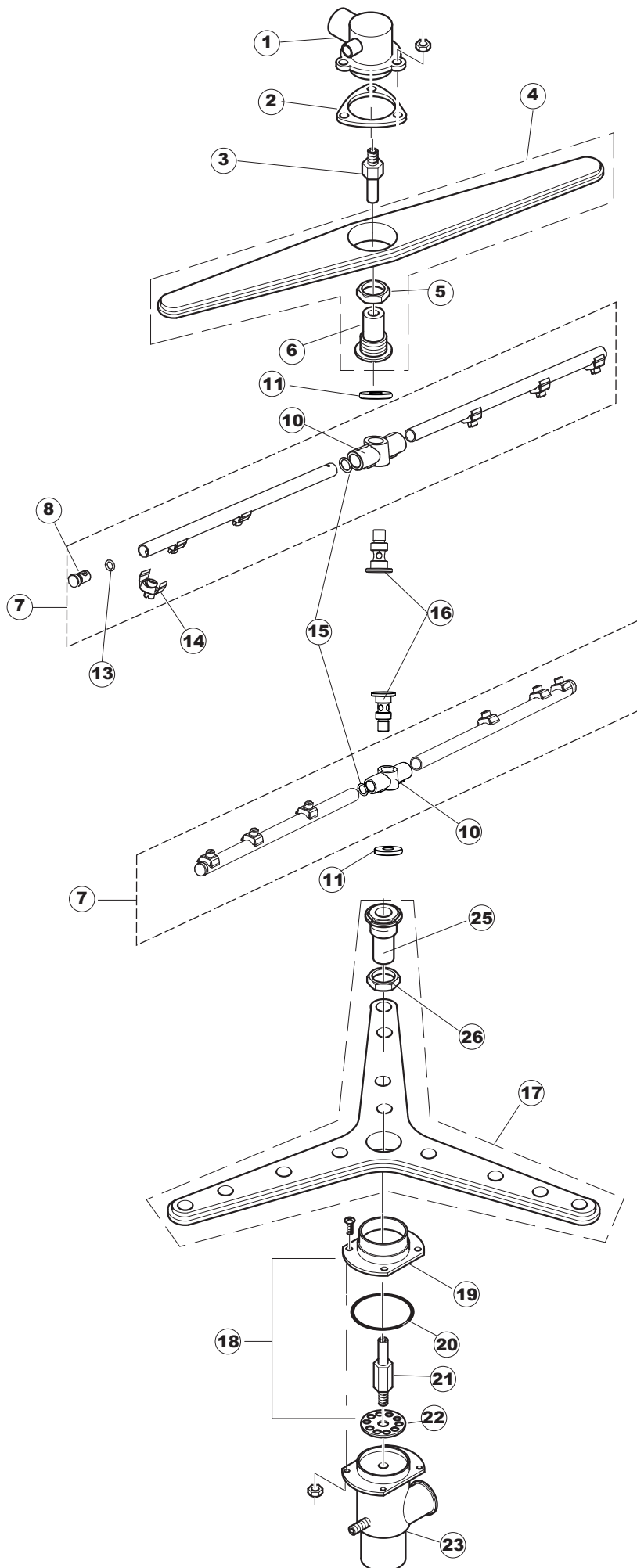
## Listino componenti per pagina 4

1	35602	CONDOTTA CENTRALE SUPERIORE LP92 CENTRAL PIPE, UPPER LP92 ZENTR.LEITUNG, OBEN LP92 CONDUITE CENTR. SUP. LP92 CONDUCTO CENTRAL SUPERIOR LP92	
2	41554	TUBO LAVAGGIO WASH PIPE SPUELLEITUNGAVAGE P/TUYAU LAVAGE TUBO LAVADO	
3	80115	EL.P 1,6KW 230-400V/50HZ (5295.5050) MOTORPUMP 1,6KW 230-400V/50HZ (5295.5050) ELEKTROPUMPE 1,6KW 230-400V/50HZ (5295.5050) EL.P 1,6KW 230-400V/50HZ (5295.5050) ELECTROBOMBA 1,6KW 230-400V/50HZ (5295.5050)	
4	41626	STAFFA POMPA	
5	4206301	RACCORDO LANCIA LAV.INF.EW610.. UNION, WASH.ARM LOW.EW610.. VERBINDUNGSST., SPÜLARM UNTEN EW610.. RACCORD RAMPE DE LAV.INF.EW610.. EMPALME LANZA LAV. INF. EW610. .	
6	41560	MANICOTTO COUPLING MUFFE MANCHON MANGUITO LAVADO	
7	CFS3	FASCETTA A VITE TORRO W2B 60-80/12 CLAMP, HOSE-TYPE TORRO W2B 60-80/12 SCHELLE, SCHRAUBE TORRO W2B 60-80/12 BANDE DE SERRAGE A VIS TORRO W2B 60-80/12 ABRAZADERA CON TORNILLO TORRO W2B	
8	80186	MANICOTTO ASPIRAZ.POMPA RIVER SLEEVE, SUCT.PUMP RIVER MUFFE, ABSAUG.PUMPE RIVER MANCHON ASPIRAT.POMPE RIVER MANGUITO ASPIRAC. BOMBA RIVER	
9	456040	OR 201 NBR70                    22 O-ring 201 NBR70                22 O-Ring 201 NBR70                22 OR 201 NBR70                    22 OR 201 NBR70 22	
10	136020	CORPO ASPIRAZIONE/SCARICO 22/44 INTAKE/DRAIN BODY 22/44 GEHAUSE, EINLASS/ABLASS 22/44 CORPS ASPIRATION/VIDANGE 22/44 CUERPO ASPIRACION/DESCARGA 22/44	



## Listino componenti per pagina 5

1	927322	FASCETTA NASTRO 14-24 CLAMP, TAPE 14-24 SCHLAUCHSCHELLE 12-22 BANDE DE SERRAGE CONVOYEUR 14-24 ABRAZADERA CINTA 12-22	
2	143010	TUBO PRESS.TP 12X19.5 PIPE, PRESSURE SWITCH TP 12X19.5 ROHR, DRUCKSCHALTER TP 12X19.5 TUYAU PRESS.TP 12X19.5 TUBO PRES. TP 12X19. 5	
3	143173	GIUNZIONE RISC.PLAST.35/40/50 JOINT, RINSE PLAST.35/40/50 VERBIND., NACHSPÜLEN KUNST.35/40/50 JOINT RINC.PLAST.35/40/50 UNION ENJUAGUE PLAST. 35/40/50	
4	929169	TUBO DI CARICO DEL TERMOPLASTICO PIPE, THERMOPLASTIC DELIVERY ZULAUFSCHLAUCH, WASSER THERMOPLAST TUYAU DE CHARG. DU THERMOPLASTIQUE TUBO DE CARGA DEL TERMOPLASTICO	
5	80389	BOILER RIVER CAPOT BOILER RIVER CAPOT BOILER DURCHSCHUBSPÜLAUTOM. RIVER CHAUDIÈRE RIVER CAPOT CALENTADOR RIVER CAPOT	
6	926189	TERMOSTATO BOILER SIC.95ø THERMOSTAT, BOILER, SAF.95ø SICHERHEITSTHERMOSTAT BOILER 95° THERMOSTAT CHAUDIÈRE SEC. 95ø TERMOSTATO CALENTADOR SEG. 95ø	
7	456002	OR 48x6,2 O-ring 48x6,2 O-Ring 48x6,2 OR 48x6,2 OR 48x6,2	
8	231016	SONDA TEMPERATURA TEMP. PROBE KUGEL SONDE SONDA TEMPERATURA (AMPOLLA ACERO)	
9	230083C	KIT RESISTENZA REB230083 (6KW) KIT, RESISTANCE REB230083 (6KW) KIT, WIDERSTAND REB230083 (6KW) KIT RESISTANCE REB230083 (6KW) KIT RESISTENCIA REB230083 (6KW)	
10	69870	PROTEZIONE RESISTENZA BOILER BOILER HEATING ELEMENT PROTECTION HEIZUNGSSCHUETZ DES WARMWASSERBEREITERS PROTECTION RESISTANCE BOILER PROTECCION RESISTENCIA CALENTADOR	
16	144010	DISPOSIT.A/R.(EB) CON RACCORDO SFIATO CHECK VALVE (EB) W/DRAIN UNION RÜCKSCHLAGVORR.(EB) MIT ENTLÜFTUNG DISPOSIT.A/R.(EB) AVEC RACCORD DE VIDANGE DISPOSIT. A/R. (EB) CON EMPALME ALIVIAD.	
17	240016	VALVOLA DI CARICO 1VIA 3/4 230V PARZ.16L LOADING S.VALVE 1-WAY 3/4 230V PART.16L ZUFLUSSVENTIL 1-WEG 3/4 230V DROSS.16L SOUPAPE DE CHARG. 1VOIE 3/4 230V PARZ.16L VALVULA DE CARGA 1VIA 3/4 230V PARC. 16L	
18	437041	GUARNIZIONE 3/4 GAS CARICO GASKET 3/4 GAS LOAD DICHTUNG 3/4 GASVERSORG. JOINT 3/4 GAZ VID. JUNTA 3/4 GAS CARGA	
19	41556	TUBO SAGOMATO PIPE ROHR TUYAU TUBO PERFILADO	

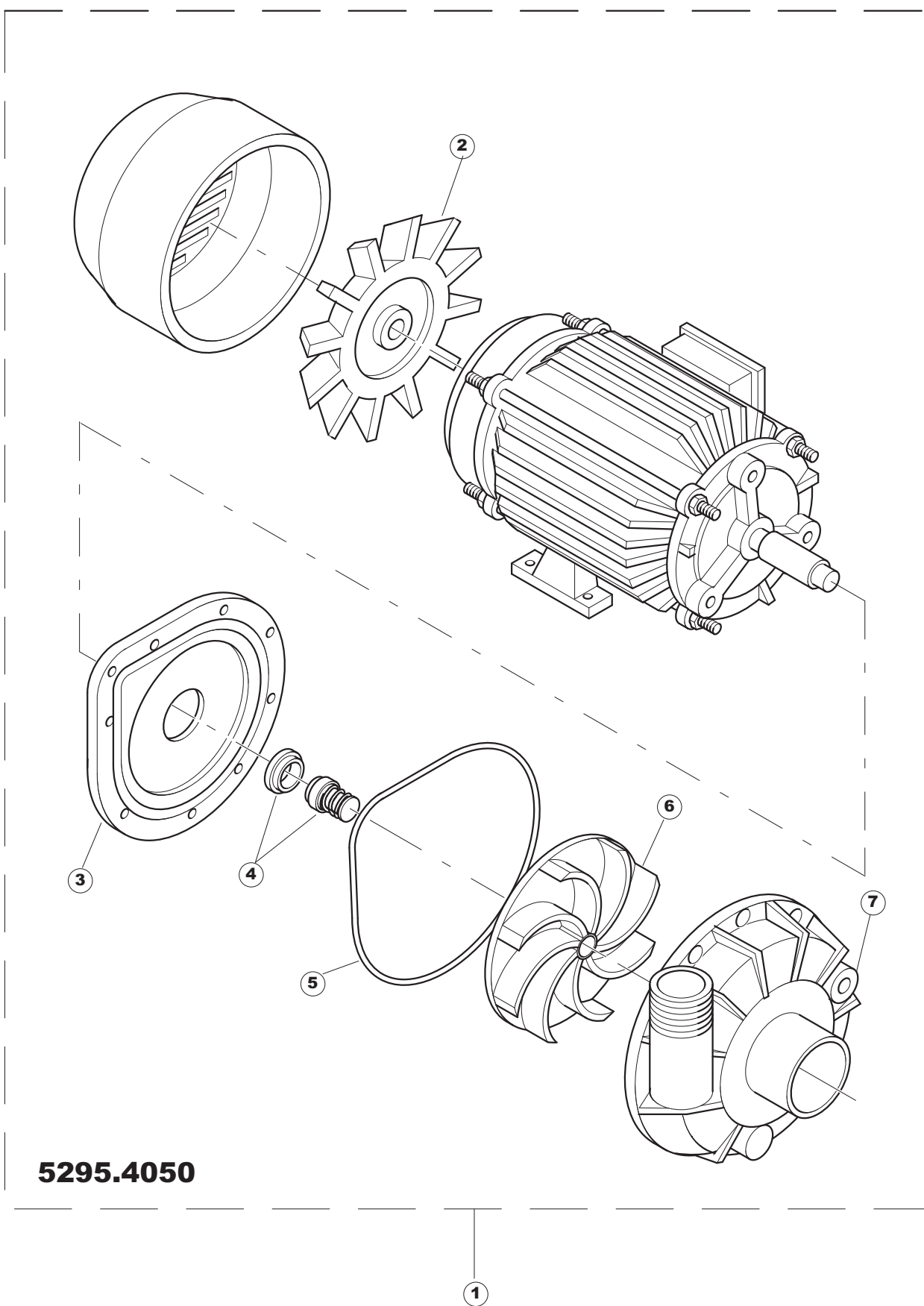




## Listino componenti per pagina 6

1	35602	CONDOTTA CENTRALE SUPERIORE LP92 CENTRAL PIPE, UPPER LP92 ZENTR.LEITUNG, OBEN LP92 CONDUITE CENTR. SUP. LP92 CONDUCTO CENTRAL SUPERIOR LP92	
2	437064	GUARNIZIONE COND.CENTR.SUP.50 GASKET, MANIFOLD, CENTR.UPP.50 DICHTUNG, SAMMELLEITUNG, ZENTR.OB.50 JOINT COND.CENTR.SUP.50 JUNTA COND. CENTR. SUP. 50	
3	80282	ALBERO PERNO RISC.RIVER SHAFT, WASH RINSE RIVER WELLE, ZAPFEN NACHSPÜLEN RIVER ARBRE PIVOT RINC.RIVER EJE PERNO ENJUAGUE RIVER	
4	80311	PETTINE LAVAGGIO RIVER CAPOT COMB, WASHING RIVER CAPOT KAMM, SPÜLEN RIVER-DURCHSCHUBSPÜLAUTOM. PEIGNE LAVAGE RIVER CAPOT PEINE LAVADO RIVER CAPOT	
5	80314	DADO LANCIA LAVAGGIO GRIGIO NUT, WASH-ARM GREY SCHRAUBENMUTTER, SPÜLLANZE GRAU ECROU RAMPE DE LAVAGE GRIS VER CODIGO 926128	
6	80310	SUPPORTO LANC/LAVAGGIO (RAL7001) SUPPORT, WASH-ARM/WASH. (RAL7001) HALTER, SPÜLLANZE/SPÜL. (RAL7001) SUPPORT RAMPE DE LAVAGE (RAL7001) SOPORTE LANC/LAVADO (RAL7001)	
7	41677	BRACCIO RISCIAQUO ROTATING RINSE ARM FOR POT AND PAN WASHE R NACHSPUELUNGSARM - DREHBAR - FUER KOCHTO EPFESPU TOURNIQUET DE RINCAGE POUR LAVE-CASSEROL ES BRAZO ENJUAGUE	
8	926132	TAPPO PL.X BRACCIO DI RISC.(DWT312) CAP, PLASTIC FOR WASH. ARM (DWT312) PFROPFEN, KUNST. FÜR NACHSPÜLARM (DWT312) BOUCHON PL.POUR BRAS DE RINC.(DWT312) TAPON PL. X BRAZO DE ENJUAGUE (DWT312)	
10	69632	CORPO PETTINE ARM BODY KOERPER DES NACHSPUELARMES CORPS BRAS CUERPO PEINE ENJUAGUE.	
11	80679	GHIERA ULTRA RINSE INOX NUT RING BAGUE VIROLA ULTRA RINSE INOX	
13	CGR106	O-RING 106 GOMMA NITR. (6,75 X 1,78 NBR) O-ring 106 NITRILE RUBBER (6,75 X 1,78 NBR) O-RING 106 NITRILGUMMI (6,75 X 1,78 NBR) O-RING 106 CAOUTCHOUC NITRYLE (6,75 X 1,78 NBR) VER CODIGO 456030	
14	140036	SPRUZZO RISCIAQUO D.2,5 X TUBO D12 RINSE JET DUESE GLICEUR ROCIADOR ENJUAGUE D. 2,5	
15	456019	OR 2037 O-ring 2037 O-Ring 2037 OR 2037 OR 2037	
16	80644	PERNO	
17	929195	LANCIA DI LAV.TRIANGOLARE COMPL.U61 COMPLETE TRIANGULAR WASH LANCE U61 DREIECKIGER WASCHARM KOMPL. U61 LANCE DE LAVAGE TRIANGULAIRE COMPLETE U61 LANZA DE LAV.TRIANGOLARE COMPL.U61	

18	41064CP	CONTROFL.SUP.LANCIA LAV.U61/61H COUNTER-FLANGE, SUPP. FOR ARM-WASH U61/61H GEGENFLANSCH, OB. FÜR SPÜLLANZE U61/61H CONTRE-BRIDE SUP.RAMPE DE LAV.U61/61H CONTRABRIDA SUP. LANZA LAV. U61/61H	
19	41064	VEDI CODICE C.41064CP SEE CODE C.41064CP SIEHE SERIENN. C.41064CP VOIR CODE C.41064CP CONTRABRIDA SUP. LANZA LAV. LP	
20	926252	OR 4275 O-ring 4275 O-Ring 4275 OR 4275 OR 4275	
21	42053	PERNO LANCIA LAV.INFER.U61 PIN, LOW.WASH. WASH-ARM U61 ZAPFEN, UNT.SPÜLLANZE U61 PIVOT RAMPE DE LAV.INFER.U61 PERNO LANZA LAV. INFER. U61	
22	41185	PARZIALIZZATORE PL. DRAUGHT SHUTTER PL. DROSSELGERAT PL. ETRANGLEUR PL. PARCIALIZADOR PL.	
23	4206301	RACCORDO LANCIA LAV.INF.EW610.. UNION, WASH.ARM LOW.EW610.. VERBINDUNGSST., SPÜLARM UNTEN EW610.. RACCORD RAMPE DE LAV.INF.EW610.. EMPALME LANZA LAV. INF. EW610. .	
25	926129	SUPPORTO/MOZZO LANCIA LAVAGGIO SUPPORT/HUB FOR WASH-ARM HALTER/NABE FÜR SPÜLLANZE SUPPORT/MOYEU RAMPE DE LAVAGE SOPORTE/CUBO LANZA LAVADO	
26	80314	DADO LANCIA LAVAGGIO GRIGIO NUT, WASH-ARM GREY SCHRAUBENMUTTER, SPÜLLANZE GRAU ECROU RAMPE DE LAVAGE GRIS VER CODIGO 926128	



## Listino componenti per pagina 7

1	80115	EL.P 1,6KW 230-400V/50HZ (5295.5050) MOTORPUMP 1,6KW 230-400V/50HZ (5295.5050) ELEKTROPUMPE 1,6KW 230-400V/50HZ (5295.5050) EL.P 1,6KW 230-400V/50HZ (5295.5050) ELECTROBOMBA 1,6KW 230-400V/50HZ (5295.5050)	
2	80123	VENTOLA E. POMPA (5295.4050) FAN, MOTORPUMP (5295.4050) GEBL., ELEKTROPUMPE (5295.4050) VENT. ELECTROPOMPE (5295.4050) ROTOR E. BOMBA (5295.4050)	
3	80122	FLANGIA CON SCUDDO PUMP FLANGE (5295.4050) FLANSCH PUMPE (5295.4050) FLASQUE POMPE (5295.4050) BRIDA CON SCUDDO E.BOMBA (5295.4050)	
4	80121	TENUTA ROTANTE POMPA(AB122414B/AC1326B SEAL, REVOLVING, PUMP(AB122414B/AC1326B DICHTUNG, ROTIER. - PUMPE(AB122414B/AC1326B JOINT PIVOTANT POMPE(AB122414B/AC1326B ESTANQ. ROTOR BOMBA(AB122414B/AC1326B	
5	80120	GUARNIZIONE EL-POMPA (5295.4050) GASKET, EL.PUMP (5295.4050) DICHTUNG, EL.PUMPE (5295.4050) JOINT ELECTROPOMPE (5295.4050) JUNTA ELECTROBOMBA (5295.4050)	
6	80119	GIRANTE E-POMPA (5295.4050) ELECTR.PUMP IMPELLER (5295.4050) LAUFRAD ELEKTROPUMPE (5295.4050) ROUE ELECTROPOMPE (5295.4050) ROTOR E-BOMBA (5295.4050)	
7	80118	CHIOCCIOLA EL-POMPA (5295.4050) ELECTROPUMP HOUSING PUMPENGEHAEUSE VOLUTE POUR ELECTROPOMPE ESPIRAL EL-BOMBA (5295.4050)	